

Dr. Saleem Lawrence

MD

PEDIATRICIAN AND NEONATOLOGIST

MCI-19048, 14-15439, UPMC-51263, 5664, CMO-AL/15/680

Clinic : 2/347, Vishwas Khand, Gomti Nagar, Lucknow

Phones :- Clinic : 8853776872, Personal & Whatsapp : 9935816222

Regular O.P.D. Timings		
Mon. to Fri. 10:00 am to 12:00 Noon 6:00 to 9:00pm	Saturday 10:00 am to 12:00 Noon Evening Closed	Sunday 11:00 am to 1:00 pm Evening Closed

Emergency Consultation available after prior telephonic appointment only.

Name: Baby Ayra
Age/Sex: 2y 4m 13d / M
Office ID: SL2283

Date: 16-08-2019 11:43 am
Mobile: 9919108252

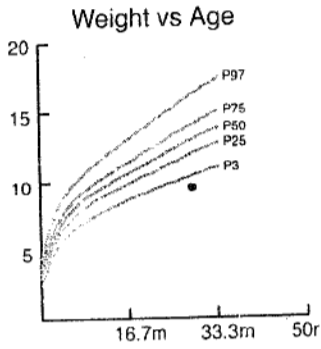
Weight: 9.53 kg (1 %ile)

19 AUG 2019

This prescription is valid till the next 4 days only.

Findings: Multiple bruises

Advised Investigations: CBC - Complete Blood Count, INR

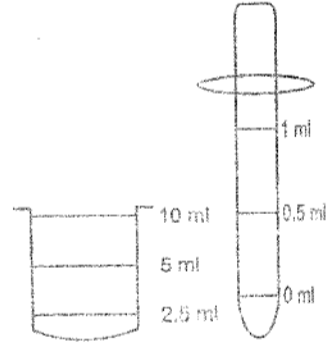


Syp Minner Pb (57) 20 x 2d

Dr. Saleem Lawrence

Find your prescription online on docon.co.in

I.T.P
IVIG infusion
Ref to Seva Hospital
to Swil Debadger
Haemoflight
Seva Hospital



TEMPERATURE RECORD		
DATE		
MORNING		
AFTERNOON		
EVENING		
NIGHT		



Cert. No. MC-2947

CLIENT CODE : C000022247
CLIENT'S NAME AND ADDRESS :
BABY AYRA

SRL LIMITED
B-1/12, VIPUL KHAND, GOMTINAGAR
LUCKNOW, 226010
UTTAR PRADESH, INDIA
Tel : 0522-4412121,4428378,7570809716, Fax :
CIN - U74899PB1995PLC045956
Email : customercare.lucknow@srl.in

PATIENT NAME : BABY AYRA

PATIENT ID : BABYF03041724

ACCESSION NO : 0024SH005611 **AGE :** 2 Years **SEX :** Female **DATE OF BIRTH :** 03/04/2017

DRAWN : 16/08/2019 12:15 **RECEIVED :** 16/08/2019 12:18 **REPORTED :** 16/08/2019 15:40

REFERRING DOCTOR : DR. Saleem Lawrence

CLIENT PATIENT ID :

Test Report Status	Final	Results	Biological Reference Interval	Units
--------------------	-------	---------	-------------------------------	-------

HAEMATOLOGY

COMPLETE BLOOD COUNT, EDTA WHOLE BLOOD/SMEAR

BLOOD COUNTS

HEMOGLOBIN	11.8	11.0 - 14.0	g/dL
RED BLOOD CELL COUNT	4.50	4.0 - 5.2	mil/ μ L
WHITE BLOOD CELL COUNT	8.20	5.0 - 15.0	thou/ μ L
PLATELET COUNT	30	Low 200 - 490	thou/ μ L

METHOD : ELECTRONIC IMPEDANCE

RBC AND PLATELET INDICES

HEMATOCRIT	35.7	34 - 40	%
MEAN CORPUSCULAR VOL	79.0	75 - 87	fL
MEAN CORPUSCULAR HGB.	26.3	24.0 - 30.0	pg

METHOD : CALCULATED PARAMETER

MEAN CORPUSCULAR HEMOGLOBIN CONCENTRATION	33.2	31.0 - 37.0	g/dL
RED CELL DISTRIBUTION WIDTH	12.8	11.6 - 14.0	%

METHOD : ELECTRONIC IMPEDANCE

MEAN PLATELET VOLUME	10.2	6.8 - 10.9	fL
----------------------	------	------------	----

METHOD : ELECTRONIC IMPEDANCE

WBC DIFFERENTIAL COUNT

SEGMENTED NEUTROPHILS	52	28 - 56	%
-----------------------	----	---------	---

METHOD : MICROSCOPIC EXAMINATION

ABSOLUTE NEUTROPHIL COUNT	4.26	1.5 - 8.0	thou/ μ L
---------------------------	------	-----------	---------------

METHOD : CALCULATED PARAMETER

EOSINOPHILS	02	0 - 3	%
-------------	----	-------	---

ABSOLUTE EOSINOPHIL COUNT	0.16	0.1 - 1.0	thou/ μ L
---------------------------	------	-----------	---------------

METHOD : CALCULATED PARAMETER

LYMPHOCYTES	40	35 - 65	%
-------------	----	---------	---

ABSOLUTE LYMPHOCYTE COUNT	3.28	Low 6.0 - 9.0	thou/ μ L
---------------------------	-------------	----------------------	---------------

METHOD : CALCULATED PARAMETER

MONOCYTES	06	3 - 6	%
-----------	----	-------	---

ABSOLUTE MONOCYTE COUNT	0.49	0.2 - 1.0	thou/ μ L
-------------------------	------	-----------	---------------

METHOD : CALCULATED PARAMETER

BASOPHILS	00	0 - 1	%
-----------	----	-------	---

BAND (STAB) CELLS	00	0 - 5	%
-------------------	----	-------	---

CLIENT CODE : C000022247
 CLIENT'S NAME AND ADDRESS :
 BABY AYRA



SRL LIMITED
 B-1/12, VIPUL KHAND, GOMTINAGAR
 LUCKNOW, 226010
 UTTAR PRADESH, INDIA
 Tel : 0522-4412121, 4428378, 7570809716, Fax :
 CIN - U74899PB1995PLC045956
 Email : customercare.lucknow@srl.in

PATIENT NAME : **BABY AYRA**

PATIENT ID : **BABYF03041724**

ACCESSION NO : **0024SH005611** AGE : 2 Years SEX : Female

DATE OF BIRTH : 03/04/2017

DRAWN : 16/08/2019 12:15

RECEIVED : 16/08/2019 12:18

REPORTED : 16/08/2019 15:40

REFERRING DOCTOR : DR. Saleem Lawrence

CLIENT PATIENT ID :

Test Report Status	Final	Results	Biological Reference Interval	Units
--------------------	-------	---------	-------------------------------	-------

DIFFERENTIAL COUNT PERFORMED ON:

EDTA SMEAR

PERIPHERAL SMEAR EXAM, EDTA WHOLE BLOOD

RBC

MILD ANISOCYTOSIS WITH MICROCYTIC HYPOCHROMIC RBCs.

WBC

WBCS ARE NORMAL IN NUMBER & MORPHOLOGY

PLATELETS

THROMBOCYTOPENIA.

Interpretation(s)

BLOOD COUNTS-

The cell morphology is well preserved for 24hrs. However after 24-48 hrs a progressive increase in MCV and HCT is observed leading to a decrease in MCHC. A direct smear is recommended for an accurate differential count and for examination of RBC morphology.

RBC AND PLATELET INDICES-

The cell morphology is well preserved for 24hrs. However after 24-48 hrs a progressive increase in MCV and HCT is observed leading to a decrease in MCHC. A direct smear is recommended for an accurate differential count and for examination of RBC morphology.

COAGULATION

PROTHROMBIN TIME, PLASMA

PROTHROMBIN TIME (PT)	12.7	9.74 - 15.78	SECONDS
INTERNATIONAL NORMALIZED RATIO (INR)	0.96	< 1.4	RATIO
MEAN NORMAL PT	13.1		SECONDS

Interpretation(s)

PROTHROMBIN TIME, PLASMA-

Prothrombin Time measures the integrity of the extrinsic pathway and the adequacy of critical coagulation factors involved in it, namely, Factor VII. This test is therefore, used for monitoring oral anticoagulation therapy which lowers the levels of multiple vitamin K dependent coagulation factors in blood (Factors II, VII, IX and X) including Factor VII. The result of PT is expressed as International Normalized Ratio (INR) to neutralize the influence of variable sensitivity of the reagents (thromboplastin) used in the assay by different laboratories.

Prolonged PT/INR is observed in hereditary or acquired deficiency of the relevant coagulation factors, vitamin K deficiency, liver disease, specific coagulation factor inhibitors and nonspecific inhibitors of PT (eg, monoclonal immunoglobulins, elevated fibrin degradation products).

The following INR ranges are recommended for achieving optimal anticoagulation in different clinical conditions:

Diagnosis	Target INR
Treatment of venous thrombosis	2.0- 3.0
Treatment of pulmonary embolism	2.0- 3.0
Prevention of systemic embolism	2.0- 3.0
Tissue heart valves	2.0 3.0
Hypercoagulable states	2.0 3.0
Atrial fibrillation	2.0 3.0
Mechanical prosthetic valves (high risk)	2.5- 3.5
Bileaflet mechanical valve in aortic position	2.0- 3.0

****End Of Report****

Please visit www.srlworld.com for related Test Information for this accession

Dr. Abhishant Pandey, MD
 Pathologist
 LAB HEAD



SARKAR DIAGNOSTICS

Making a difference in patient care

Founder Chairman

Dr. Sabya Sachi Sarkar

MBBS, MD

ISO 9001-2008 Certified Organisation

PADMA SHRI AWARDEE

B-307, SECTOR-B, MAHANAGAR, LUCKNOW-226006

Date	20/08/2019	Patient Id	101952903	Age	2 Yrs 6 Mths	Sex	Female
Name	Baby AYRA	Collected		20/08/2019	12:20		
Ref Dr	Dr. SALEEM LAWRENCE, MBBS MD	Authenticated		20/08/2019	16:59:31		

<u>Test Name</u>	<u>Value</u>	<u>Unit</u>	<u>Biological Ref. Range</u>
PLATELET COUNT Manual Counting	90 Thousands	Lac/cumm	1.5 - 4.0

IN CASE OF ANY DISCREPANCY, KINDLY GET YOUR TEST REPEATED

VENTURE OF SARKAR MEDICAL DIAGNOSTIC CENTRE PVT. LTD.

Query & Complaints
 WhatsApp: 7007970501 Voice: 8318320358
 Email: sopathlab.lko@gmail.com

Dr Manisha Bhargava
 MBBS MD(Path)

Latest Introduction – NUCLEAR MEDICINE AND LIVER ELASTOGRAPHY

DUAL SOURCE, DUAL ENERGY, HIGH RESOLUTION – 128 SLICE CT SCANNER WITH ALL LATEST APPLICATIONS
16 CHANNEL 3D VOLUME Hdx 1.5 Tesla Hi - Definition FUNCTIONAL MRI with 3D MULTI - VOXEL Spectroscopy

- ▶ MRI ● WHOLE BODY CT SCAN ● WHOLE BODY ULTRASOUND ● HIGH RESOLUTION ULTRASOUND ● EEG ● MAMMOGRAPHY ● PFT ● BMD
- ▶ TRANSVAGINAL/TRANSRECTAL & SOFT TISSUE ULTRASOUND ● ENDOSCOPY (Upper & Lower G.I.) ● BRONCHOSCOPY ● TMT & ECG ● VEP
- ▶ FETAL COLOUR DOPPLER ● 2D ECHO WITH COLOUR DOPPLER & TISSUE HARMONIC IMAGING ● PERIPHERAL VASCULAR WITH PW & CW PROBES
- ▶ 12 CHANNEL DIGITAL HOLTER ● IMAGE INTENSIFIER (IITV) ● MOTORIZED DOUBLE TUBE 500 & 300 mA X-RAY ● COMPUTERISED PATHOLOGY

TIMING : 9 a.m. To 8 p.m.

SUNDAY : 9 a.m. To 4 p.m.

AMBULANCE AVAILABLE
P.T.O.



SARKAR DIAGNOSTICS

Making a difference in patient care

ISO 9001-2008 Certified Organisation

Founder Chairman

Dr. Sabya Sachi Sarkar

MBBS, MD

B-307, SECTOR-B, MAHANAGAR, LUCKNOW-226006 — **PADMA SHRI AWARDEE**

Date	24/08/2019	Patient Id	101954586	Age	2 Yrs 6 Mths	Sex	Female
Name	Baby ARYA	Collected		Collected	24/08/2019 13:01		
Ref Dr	Dr. SALEEM LAWRENCE, MBBS MD	Authenticated		Authenticated	24/08/2019 17:22:59		

Test Name

Value

Unit

Biological Ref. Range

PLATELET COUNT

Manual Counting

1.5

Lac/cumm

1.5 - 4.0

Dr Manisha Bhargava
MBBS MD(Path)

Query & Complaints

WhatsApp:7007970501 Voice:8318320358

Email:sdpathlab.lko@gmail.com

Latest Introduction – NUCLEAR MEDICINE AND LIVER ELASTOGRAPHY

DUAL SOURCE, DUAL ENERGY, HIGH RESOLUTION – 128 SLICE CT SCANNER WITH ALL LATEST APPLICATIONS
16 CHANNEL 3D VOLUME Hdxt 1.5 Tesla Hi - Definition FUNCTIONAL MRI with 3D MULTI - Voxel Spectroscopy

- MRI ● WHOLE BODY CT SCAN ● WHOLE BODY ULTRASOUND ● HIGH RESOLUTION ULTRASOUND ● EEG ● MAMMOGRAPHY ● PFT ● BMD
- TRANSVAGINAL/TRANSRECTAL & SOFT TISSUE ULTRASOUND ● ENDOSCOPY (Upper & Lower G.I.) ● BRONCHOSCOPY ● TMT & ECG ● VEP
- FETAL COLOUR DOPPLER ● 2D ECHO WITH COLOUR DOPPLER & TISSUE HARMONIC IMAGING ● PERIPHERAL VASCULAR WITH PW & CW PROBES
- 12CHANNEL DIGITAL HOLTER ● IMAGE INTENSIFIER (IITV) ● MOTORIZED DOUBLE TUBE 500 & 300 mA X-RAY ● COMPUTERISED PATHOLOGY

TIMING : 9 a.m. To 8 p.m.

SUNDAY : 9 a.m. To 4 p.m.

AMBULANCE AVAILABLE

P.T.C.

Dr. Saleem Lawrence

MD

PEDIATRICIAN AND NEONATOLOGIST
 MCI-19048, 14-15439, UPMC-51263, 5664, CMO-AL/15/680

Clinic : 2/347, Vishwas Khand, Gomti Nagar, Lucknow.

Phones :- Clinic : 8853776872, Personal & Whatsapp : 9935816222

Name: Baby Ayra

Age/Sex: 2y 4m 22d / M

Office ID: SL2283

Regular O.P.D. Timings		
Mon. to Fri. 10:00 am to 12:00 Noon 6:00 to 9:00pm	Saturday 10:00 am to 12:00 Noon Evening Closed	Sunday 11:00 am to 1:00 pm Evening Closed

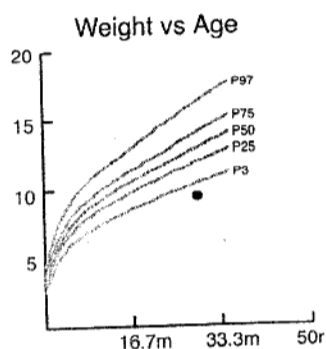
Emergency Consultation available after prior telephonic appointment only.
 Weight: 9.53 kg (01 %ile)

Date: 25-08-2019 11:51 am

Mobile: 9919108252

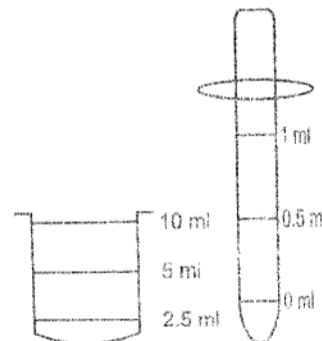
This prescription is valid till the next 4 days only.

	Medicines	Quantity	Frequency	Duration
1	Syrup Zincovit	5 ml	Once a day	1 Month
2	Syrup Feronia XT	2½ ml	Once a day	1 Month
3	Powder Pedisure (Advance) Vanilla	2 scoop	Once a day	1 Month
4	Tablet Nutrilite natural C	1/2 tablet	Once a day	1 Month



Dr. Saleem Lawrence

Find your prescription online on docon.co.in



TEMPERATURE RECORD			
DATE			
MORNING			
AFTERNOON			
EVENING			
NIGHT			



Lab Medicine-Sahara Hospital

UHID	19030315	Date	16/08/2019
IP No	19/8054	Lab Ref No	1879464
Name	MS. AYRA FIROZ	Sex/Age	Female/02 Yrs.
Ward/Bed No.	PRIVATE ROOM SIXTH FLOOR/PRVT14	Referred By	DR. DEVANSHU SHUKLA
Sample Date	16/08/2019 11:21 PM	Report Date	17/08/2019 12:02 AM
Lab No	ASH03253	Reporting Stage	Final

TEST REPORT STATUS FINAL

TEST NAME	Result	UNIT	Ref.Range
CBC + GBP		SAMPLE : WB EDTA	
General Blood Picture(GBP)	<p>Red Blood Cells: Predominantly normocytic normochromic</p> <p>White Blood Cells: Normal morphology and distribution</p> <p>Platelets: Moderate thrombocytopenia.</p>		
APTT - (ACTIVATED PARTIAL THROMBOPLASTIN TIME)		SAMPLE : CIT PLASMA	
APTT - (ACTIVATED PARTIAL THROMBOPLASTIN TIME)	30.3	sec	23.3 - 36.3
<i>Viscosity based Clotting Method</i>			
INR - PROTHROMBIN TIME		SAMPLE : CIT PLASMA	
Prothrombin Time-Patient	13.4	sec	12.5 - 14.1
<i>Viscosity based Clotting Method</i>			
Prothrombin Time-Control	13.3	sec	-
International Normalised Ratio (INR)*	1.01	Ratio	0.8 - 1.3
<i>Method :Autoanalyser</i>			
CBC + GBP		SAMPLE : WB EDTA	
HAEMOGLOBIN, BLOOD	12.4	gm/dl	11 - 14
<i>SLS hemoglobin /Non cynaide method.</i>			
TLC-TOTAL LEUCOCYTE COUNT	11.56	10 ⁹ /L	5 - 15
<i>Flow Cytometry/DC detection Method</i>			
DLC-DIFFERENTIAL LEUCOCYTE COUNT			
Neutrophil	35 L	%	40 - 70
Lymphocyte	57 H	%	20 - 45
Eosinophil	03	%	1 - 6

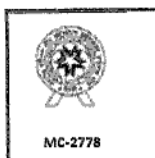
Dr.SURBHI GUPTA M.B.B.S., M.D.

PATHOLOGIST-SR. CONSULTANT

Lucknow-226004 [061]

Report is not valid for Medico-Legal purpose.

Please correlate clinically, Laboratory Medicine be contacted for any clinico-pathological discussion



Lab Medicine-Sahara Hospital

UHID	19030315	Date	16/08/2019
IP No	19/8054	Lab Ref No	1879464
Name	MS. AYRA FIROZ	Sex/Age	Female/02 Yrs.
Ward/Bed No.	PRIVATE ROOM SIXTH FLOOR/PRVT14	Referred By	DR. DEVANSHU SHUKLA
Sample Date	16/08/2019 11:21 PM	Report Date	17/08/2019 12:02 AM
Lab No	ASH03253	Reporting Stage	Final

TEST REPORT STATUS	FINAL			
Monocyte		05	%	2 - 10
Basophil		00	%	0 - 2

PLATELET COUNT				
PLATELET COUNT		57 L	10 ⁹ /L	150 - 400

Hydro Dynamic Focusing Method/DC detection/Slide Method


Dr. SURBHI GUPTA M.B.B.S., M.D.

PATHOLOGIST SR CONSULTANT

Sahara Hospital
Vraj Khand, Gomti Nagar
Lucknow-226010
2 of 4 [061]

Report is not valid for Medico-Legal purpose.

Please correlate clinically, Laboratory Medicine be contacted for any clinico-pathological discussion



Lab Medicine-Sahara Hospital

UHID	19030315	Date	16/08/2019
IP No	19/8054	Lab Ref No	1879464
Name	MS. AYRA FIROZ	Sex/Age	Female/02 Yrs.
Ward/Bed No.	PRIVATE ROOM SIXTH FLOOR/PRVT14	Referred By	DR. DEVANSHU SHUKLA
Sample Date	16/08/2019 11:21 PM	Report Date	17/08/2019 12:02 AM
Lab No	ASH03253	Reporting Stage	Final

TEST REPORT STATUS FINAL

LFT- Liver Function Test

SAMPLE : SERUM

BILIRUBIN - TOTAL & DIRECT

Serum Bilirubin Total	0.23	mg/dl	0 - 1
<i>Diazo</i>			

Serum Bilirubin Direct	0.11	mg/dl	0 - 0.3
<i>Diazo</i>			

Serum Bilirubin Indirect	0.12	mg/dl	0.1 - 0.7
<i>Diazo</i>			

Serum Alkaline Phosphatase	227	U/L	< 281
<i>IFCC Gen2</i>			

Serum Glutamic Oxaloacetate Transaminase (SGOT/AST)	38 H	IU/L	0 - 32
<i>IFCC Without Pyridoxal Phosphate</i>			

Serum Glutamic Pyruvic Transaminase (SGPT/ALT)	15	IU/L	0 - 53
<i>IFCC Without Pyridoxal Phosphate</i>			

Proteins Total

Serum Total Protein	6.67	gm/dl	6.6 - 8.7
<i>Biuret</i>			

Serum Albumin	4.76	gm/dl	3.8 - 5.4
<i>Bromo Cresol Green-BCG</i>			

Serum Globulin	1.91 L	gm/dl	2.2 - 3.5
A/G Ratio	2.49 H	Ratio	0.8 - 1.5

CRP- C Reactive Protein

SAMPLE : SERUM

C Reactive Protein (CRP)	< 3.02	mg/L	< 3.45
<i>Immuno nephelometric assay</i>			

Remark:*CRP is an acute phase reactant appeared in plasma during many infectious or inflammatory conditions. CRP assay provides useful information for the diagnosis, therapy and monitoring of inflammatory processes and associated diseases. Increase in CRP values are non specific and should not be interpreted without a complete clinical history.


 Dr. SURBHI GUPTA M.B.B.S., M.D.

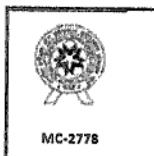
PATHOLOGIST SR. CONSULTANT

Sahara Hospital

Viraj Khand, Gomti Nagar, Lucknow-226010 [061]

Report is not valid for Medico-Legal purpose.

Please correlate clinically, Laboratory Medicine be contacted for any clinico-pathological discussion



Lab Medicine-Sahara Hospital

UHID	19030315	Date	16/08/2019
IP No	19/8054	Lab Ref No	1879464
Name	MS. AYRA FIROZ	Sex/Age	Female/02 Yrs.
Ward/Bed No.	PRIVATE ROOM SIXTH FLOOR/PRVT14	Referred By	DR. DEVANSHU SHUKLA
Sample Date	16/08/2019 11:21 PM	Report Date	17/08/2019 12:02 AM
Lab No	ASH03253	Reporting Stage	Final

TEST REPORT STATUS FINAL

KFT-KIDNEY FUNCTION TEST

SAMPLE : SERUM

Serum Urea	21	mg/dl	13 - 43
<i>Urease GLDH Kinetic</i>			
Serum Creatnine	0.34 L	mg/dl	0.5 - 0.9
<i>Modified Jaffes no deproteinization</i>			

-----End of Report-----


Dr. SURBHI GUPTA M.B.B.S., M.D.

PATHOLOGIST SR. CONSULTANT

Report is not valid for Medico-Legal purpose.

Please correlate clinically, Laboratory Medicine be contacted for any clinico-pathological discussion

Viraj Hospital
Lucknow-226010
4 of 4 [061]

रिस्क स्थिति में बिना सन्दर्भ के अराजकीय चिकित्सालय उपचार प्राप्त करने की दशा में

अनिवार्यता प्रमाण पत्र

प्रमाणित किया जाता है कि रोगी श्री/श्रीमती/कु० Ayazat Piscoor

पुत्र/पुत्री/पत्नी Mohd. Piscoor

निवासी Munshipuliya, Indira Nagar, Lucknow

की बीमारी Thrombocytopenia ? cause

के सम्बन्ध (चिकित्सालय का नाम) Sahara Hospital,
Lucknow.

में इमरजेन्सी उपचार प्रदान किया गया और इन्हें प्रदान की गयी मेडिसिन/उपचार/नर्सिंग/
केयर की सुविधा इनकी इमरजेन्सी कन्डीशन को दृष्टिगत रखते हुए अति आवश्यक थी।



चिकित्साधिकारी का नाम

चिकित्सालय का नाम व मुहर

Sahara Hospital
Viraj Khand, Gomti Nagar
Lucknow-226010



Curing Through Care

VIRAJ KHAND, GOMTI NAGAR, LUCKNOW-226010

Phone: 0522-6780001/02/03, Fax: 0522-6782110

DOPR SUMMARY

UHID	19030315
------	----------

Name: Miss Ayra Firoj Age:- 2 YEARS Sex:FEMALE weight- 10 kg

Consultant: Dr. Devanshu Shukla Ward: PICU

Date of Admission:- 16/08/2019 Date of DOPR:-18/08/2019

Diagnosis: THROMBOCYTOPENIA ?CAUSES

Clinical Data: Miss Ayra was brought to Sahara hospital with C/O Blues spot /rash over body since 7 days A/W blood mixed stool since 1 days. Treatment was started with IV antibiotic /IV fluid and other supportive care. O/E no organomegaly & no lymphadenopathy. Investigations reveled LOW platelets ,dengue serology was non-reactive. Hematologist reference was done.

Child responded well to the given treatment & platelets counts was start to improve BUT parents wants to discharges on own responsibility.so send discharged as DOPR & Risk of early discharge to be Explained. being discharged on following medical advice.

Treatment given:-IV fluid/

Inj monocef/Inj ethamsylate/Inj rantac/ Inj Ethymsylate

CONDITION ON DISCHARGE:-

General- fair,

Chest- B/L air entry +nt

Abdomen- soft, B/S +nt

CNS- WNL

Accepting feed well.

Investigation report attached :



Discharge Advice:-

1. Tab folvit (5mg) ½ tab OD
2. Syp taxim -o 5 ml BD X 5 DAYS
3. SYP RANTAC 2.5 ML BD X 5 DAYS
4. Syp Becasule -junior 5ml OD
5. FEEDING AS ADVISE

Date & Time of next appointment: Review after 5days in pediatric OPD between 11 am to 2pm

A handwritten signature in black ink, appearing to read "Dr. Devanshu Shukla".

Signed by

Dr. Devanshu Shukla
Consultant Pediatrician &
Neonatologist

Sahara Hospital
Vraj Road, Ganti Nagar
Lucknow-226010

Sanjeevani Kiran Imaging Center (Unit)

Dr. Satendra Singh

M.D. (SONOLOGIST)

Timing: 9.00 a.m. to 5:00 p.m.

Dr. D. C. Kothari

M.B.B.S., M.D. (Path.)

Consultant Pathologist

Timing : 8:00 a.m. to 2:00 pm + Emergency On Call

MACHHALISHAHAR PARAV, JAHANGIRABAD, DISTT. - JAUNPUR - 222 002

Lab. No. : 5527	Sr. No. : 5	Date : 08/Sep/2020
Patient Name : Baby AYRA	Age/Gender : 3 Years/F	Sample Date & Time : 08/Sep/2020 9:46
Reff. By : Dr. SELF	Test Requested : CBC (COMPLETE BLOOD CELL COUNT)	

Test Name	Result	Unit	Biological Ref. Range
HAEMATOLOGY			
CBC (COMPLETE BLOOD CELL COUNT)			
Method: Electrical Impidance. VCS Technology			
HEMOGLOBIN	11.40	g/dl	12.00 - 14.00
TLC COUNT	8.60	thou/mm3	5.00 - 15.00
PLATELET COUNT	174	thou/mm3	200.00 - 490.00
Differential Leucocyte Count (DLC)			
Neutrophils	41	%	40.00 - 80.00
Lymphocytes	50	%	20.00 - 40.00
Eosinophils	07	%	1.00 - 6.00
Monocytes	02	%	2.00 - 10.00
Basophilis	00	%	0.00 - 2.00

** End of Report **

Checked By 


 DR. D.C. Kothari

MBBS, MD(Path)

UPMC NO. 72659

Facilities Available : Ultrasonography, X-Ray, Digital E.C.G. & Pathology, Histopathology, Routine & Hormonal test etc.

"Sanjeevani" You Trust, We Care.