



# VARDAAN

## GENETIC & DIAGNOSTIC CENTRE

PCPNDT No. - PCPNDT/REG/KNP/2017/195

Dr. Poonam Singh Gambhir

MBBS MS (OBG BHU)

DM Medical Genetics (SGPGI, Lucknow)

Consultant Geneticist & Fetal Medicine Specialist

E-mail : drpoonambhalla@yahoo.co.in

Reg. No 47120 (U.P.M.C.)

Patient's Name:

Ms. Seema

Age/Gender:

33yr

Date:

21/11/21

Address/Ph.:

Lucknow, 916161526

Ref. by: Self

Occupation: Jd. Magistrate

### History

### Diagnosis:

H/o PU bleeding in 1st trimester

Painful gravida at ~ 11wks GD  
for genetic counseling in view of age > 30yr.

### Examination

Ht  
Wt  
HC  
HIV/HCV/HBAg - NR.

Others  
VDRL - NR  
CBC → Hb - 12.1 g/dl  
Rbc - 4.1 v  
Mcv - 90

### Investigation

NT/NB (21/11/21)

SLF → 11w6D

CRL - 51.17mm

NT - 0.9mm

NB ⊕

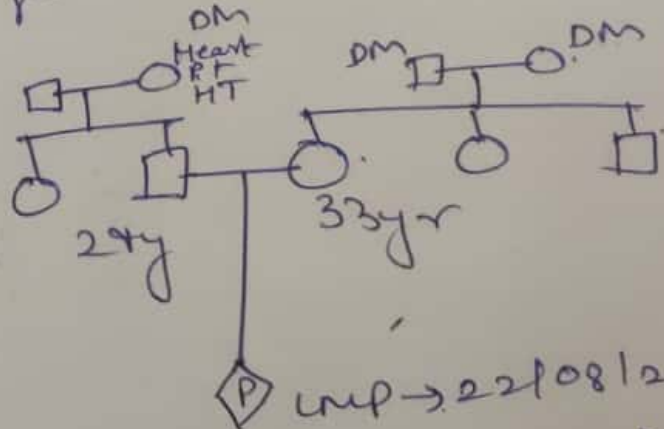
No rev. of a/c

No FR

Placenta caenos

TSH -

### Pedigree:



UMP → 22/08/21  
POG → 11w6D

### Advice & Counseling:

✓ ① HbA1C

②: BS < F.P.P.

• TSH (fasting)

✓ ③ Combined dual marker test.

④ Options of NIPT discussed with limitations & advantages.

Clinic : 27 & 27A, Arya Kanya Market, Near Chawla Market Chauraha, Govind Nagar, Kanpur Ph. : 8009221198

Timings :- Monday - Friday - 5 P.M. - 9 P.M. Sunday - 9:30 A.M. - 2 P.M., Saturday - Closed

NOT FOR MEDICO LEGAL PURPOSES

PTD

✓ (5) Beta-thalassemia screening  
(HPLC)

(6) Plan → Level II - 19-20 wks  
Fetal ECHO - 23-24 wks.

OGCT  $\approx$  20 wks.

(7) Continue tx ↓ obst<sup>n</sup>.

(8) Syp. Duphalac 2 tds HS  
(solay) with warm water.  
(for constipation) SOS.

(9) Avoid physical exertion,  
frequent climbing of stairs &  
travel in view of  
Placenta low lying covering os.

Pan  
genetics

Pan